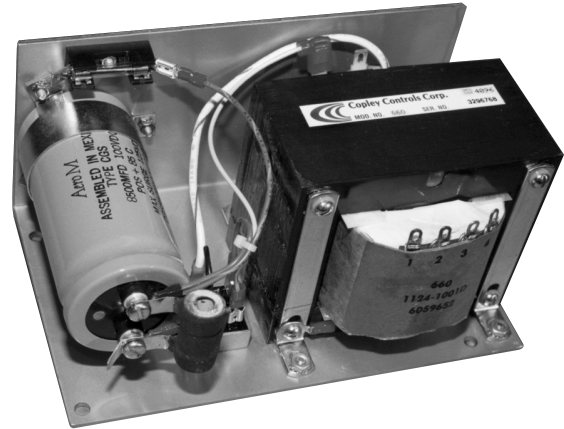


FEATURES

- Rugged L-brackett construction
- Fused Output
- Simple - easy to use
- Peak current rating 2.5 times nominal

APPLICATIONS

- High voltage source for DC and stepper servo motors
- Lamp loads
- On-board 3 terminal regulator inputs
- Support high efficiency single or mult axis drive configurations



Product Description

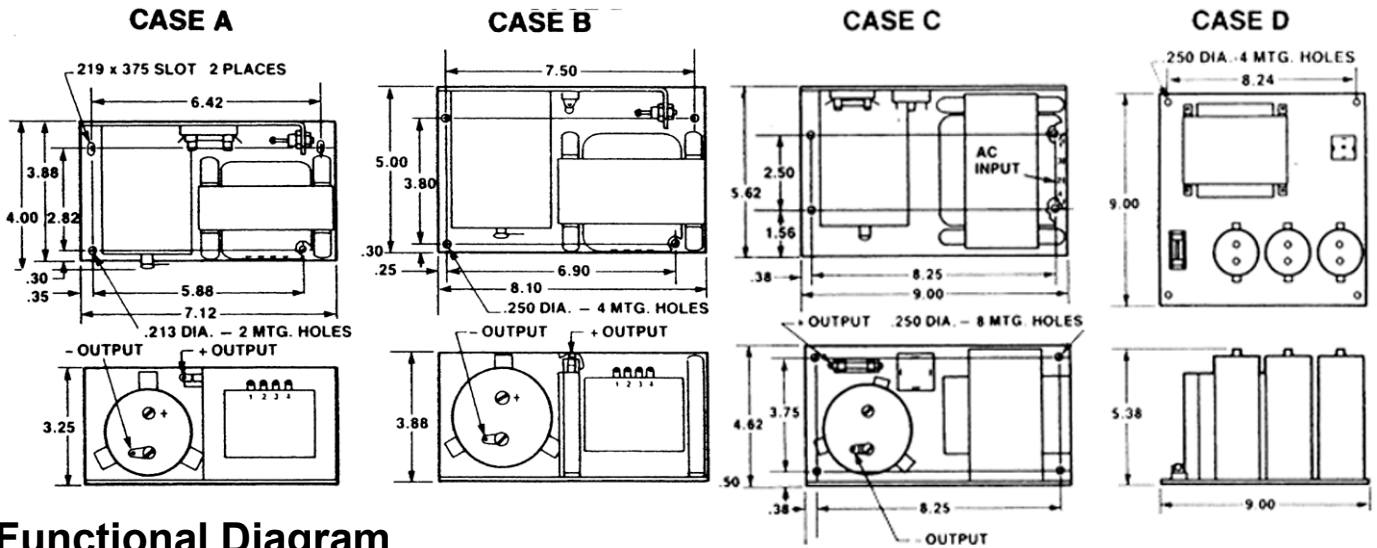
The series 600 power supplies have been designed to compliment Copley Controls servo amplifiers and to provide the user with a complete solution to single and multi axis DC drive applications. The series 600 unregulated DC power source is an acceptable solution for most applications where output variations and AC ripple components can be tolerated. These power supplies are designed to provide the best cost-per-watt value. The output of these power supplies varies with different loading conditions as well as changes in the AC line input. To minimize the effect of load variations a bleeder resistor has been added to keep a minimum load on the power supply and thereby moving the operating point away from the zero load point. Copley Controls unregulated power supplies have tapped primary windings to allow for fine tuning the output voltage under actual application load. Ripple is a maximum of 3% of the output voltage at full rated load, and the output is fuse protected. Because of the requirement of the peak load currents in most servo applications, the series 600 power supplies have been designed to provide 1 second peak currents at 2.5 times nominal rating with a 20% duty cycle.

Key Specifications (Typical full load output voltage/current ratings.)

Model	Volts	Amps	Adj. Taps	Watts	Size (inches)	Weight (lbs)	Case
620	25	3.5	±10%	88	7.1 x 4.0 x 3.0	6.3	A
621	28	5	±10%	140	8.1 x 5.0 x 3.9	12.3	B
661 (33V)	33	6	±10%	198	9.0 x 5.6 x 4.6	20.5	C
662 (33V)	33	8	±10%	264	9.0 x 5.6 x 4.6	20.5	C
664 (33V)	33	15	±10%	495	9.0 x 9.0 x 5.3	28.5	D
640	48	1.8	±10%	86	8.1 x 5.0 x 3.9	12.3	B
641	48	4	±10%	192	9.0 x 5.6 x 4.6	20.5	C
645	48	15	±10%	720	9.0 x 5.6 x 4.6	20.5	C
660	65	4	±5%	260	8.1 x 5.0 x 3.9	12.3	B
661	65	6	±5%	390	9.0 x 5.6 x 4.6	20.5	C
662	65	8	±5%	520	9.0 x 5.6 x 4.6	20.5	C
663	75	8	±10%	600	9.0 x 5.6 x 4.6	20.5	C
664	65	15	±5%	975	9.0 x 9.0 x 5.3	28.5	D
666	75	15	±10%	1125	9.0 x 9.0 x 5.3	28.5	D
668	120	5	±5%	600	9.0 x 5.6 x 4.6	20.5	C

115/230VAC DP Option, "Dual Primary" available.

Outline Dimensions



Functional Diagram

